

**BEFORE YOU START**

**General Site Working**

BS 8000 Workmanship on building sites, Parts 13 through to 16 with respect to above ground drainage and sanitaryware appliances are relevant in general terms.

**Handling and Storage**

Gutters, downpipes and fittings, particularly with polyester powder coat finish should be handled with care and preferably stored under cover on racks to prevent scratching. Whilst not known to pose any health hazard, it is recommended that protective gloves be worn when handling mill finish aluminium.

All lengths are supplied in a protective polythene wrapping with components similarly wrapped and stored in cardboard boxes. If painted product is to be stored outside, cover with a tarpaulin to protect against rainfall and direct sunlight. Failure to do this may allow water to get trapped inside the protective wrapper and could lead to permanent watermarks on the paint finish. Mill finish items should be stored under cover to avoid uneven oxidization prior to be fitted.

**Cutting and Drilling**

Downpipe sections may be cut on site using standard metalworking tools, however the use of angle grinders is not recommended. Where downpipes or fittings are powder coated, then cut edges should be de-burred and then repainted with touch-up paint (available from Gutters Online).

**Jointing**

Where required, any use of sealant must not be carried out in wet weather or in temperatures below 5°C or above 50°C. All joint surfaces must be perfectly clean and dry. Only a low modulus sealant (Arbosil 1096) must be used to prevent early failure.

**Fixing**

It is important that all fixings are suitable for both the substrate and the load. They must therefore be of the appropriate size and of a compatible material to ensure no electrolytic corrosion occurs. Gutters Online recommends that stainless steel (preferably austenitic) screws must be used to fix downpipes or associated components.

**Materials Checklist**

- Spirit level/straight edge
- Suitable screwdriver/attachment
- Sealant caulking gun
- Pencil or chalk
- String or laser line
- Hacksaw/electric jigsaw/chopsaw
- Tape measure
- Small wrench

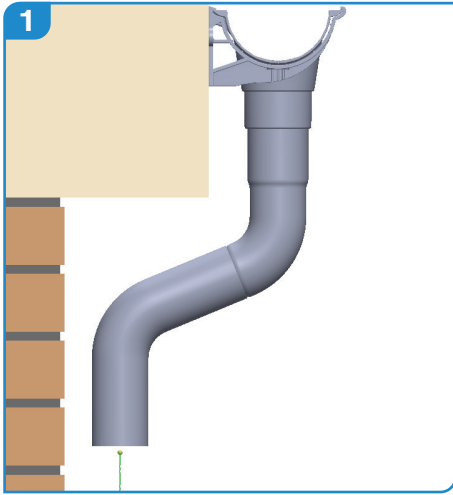


## DOWNPIPE FIXING

We advise that you ensure the fixing background is in good condition and will support the downpipe and that there are sufficient clips/brackets in place to secure the load.

When fitting Colonnade downpipes, start from the outlet and work towards the gully. Make sure you have the right combination of offsets/bends/branches and pipe to complete the installation.

Maximum fixing centres is 2 metres – using correct stainless-steel fixings and plugs for the substrate being fitted to.

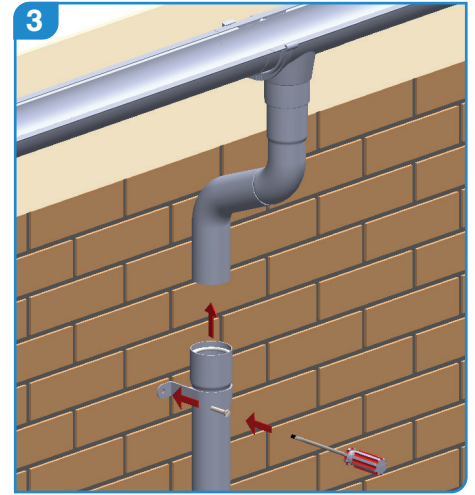


Ensure vertical alignment between drain and gutter outlet.

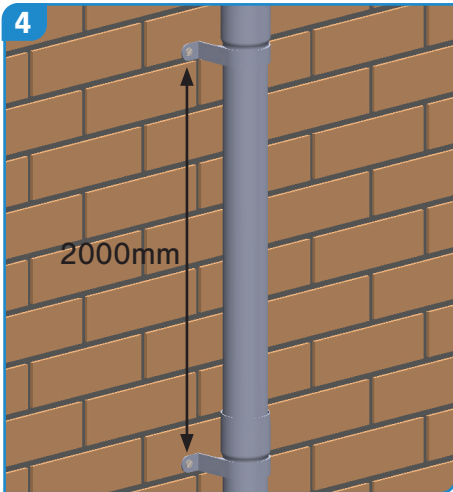
Adjust the offset to suit the projection. Place the offset in position from the outlet and fix the first pipe into place, thus holding the offset in position.



Sealant can be applied to the inside of the pipe socket prior to installation. Swaged and flushjoint downpipes should have sealant applied to the socket prior to installation. Cast Collared can be sealed after fitment. When fitting flushjoint downpipe, sealant can also be applied to the inside of the clip to assist in supporting the pipe.

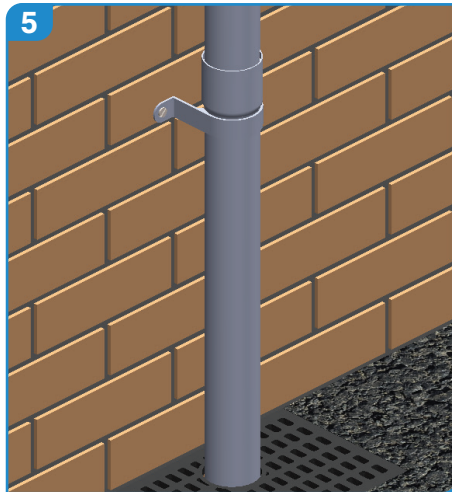


A pipe clip should be fixed directly beneath the pipe socket.

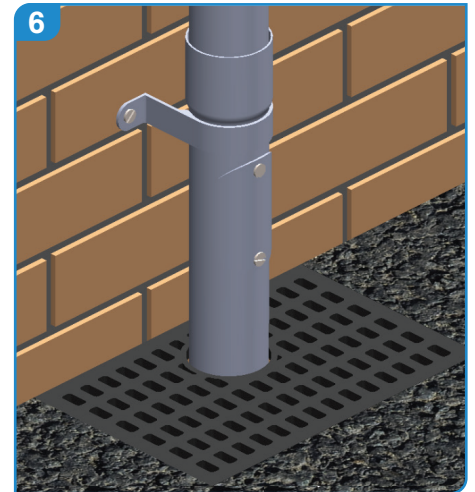


Additional pipe clips should be fitted at 2m maximum intervals.

Carry on installing pipes in this fashion until reaching the drain. Clips to be fixed with plastic wall plugs and stainless steel screws of a size suitable for the substrate.



A shoe, drain adaptor or offset may be required to terminate the pipe work into the gully



As per local building regulations, if a shoe is not installed access pipes should be fitted and positioned to give suitable rodding access as required.



Any cut lengths should be de-burred and touched up with touch-up paint supplied prior to installation. For more information or further assistance, please contact us.

All dimensions shown in mm unless otherwise stated.